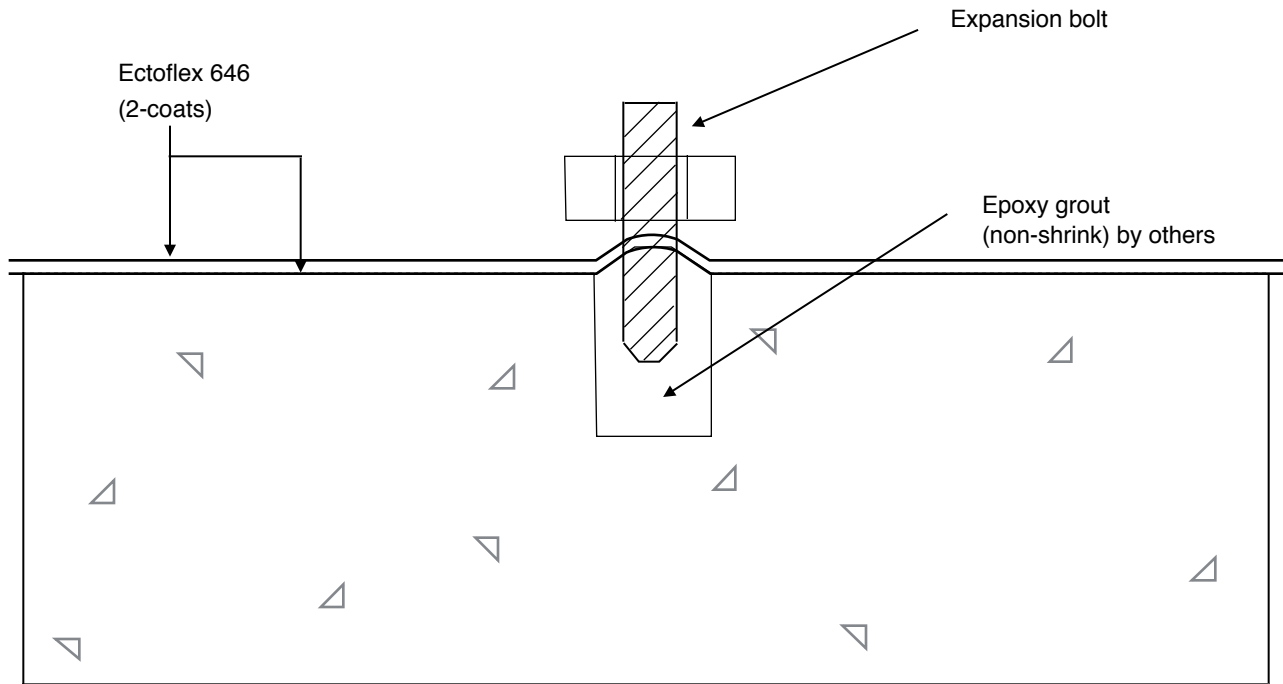


Ectoflex 646

Bolt

“Expansion or Retaining”



Note:

If bolts are applied after Ectoflex 646 has been installed, remove from surface prior to commencing any installation of bolts. Ectoflex 646 may be reapplied once work is complete.

8865 Woodbine Ave,
Suite D3-177
Markham, On L3R 5G1
Tel: (905) 534-3326
Fax: (905) 534-3327
Email: edco@rogers.com
www.edcotecnologies.com

EDCO
TECHNOLOGIES INC.

DATE:
February/2015

Drawing No.
D-91-3